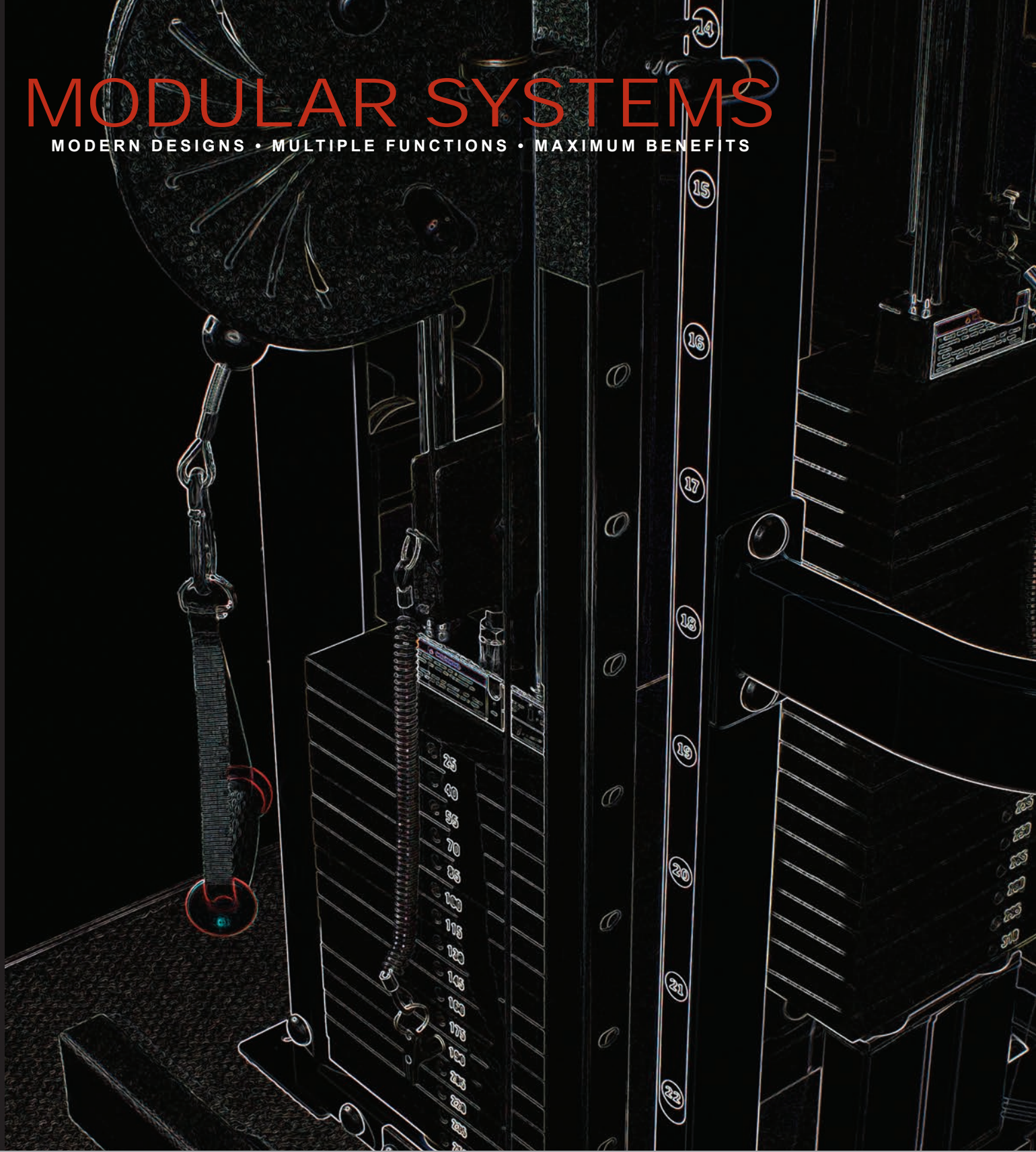


MODULAR SYSTEMS

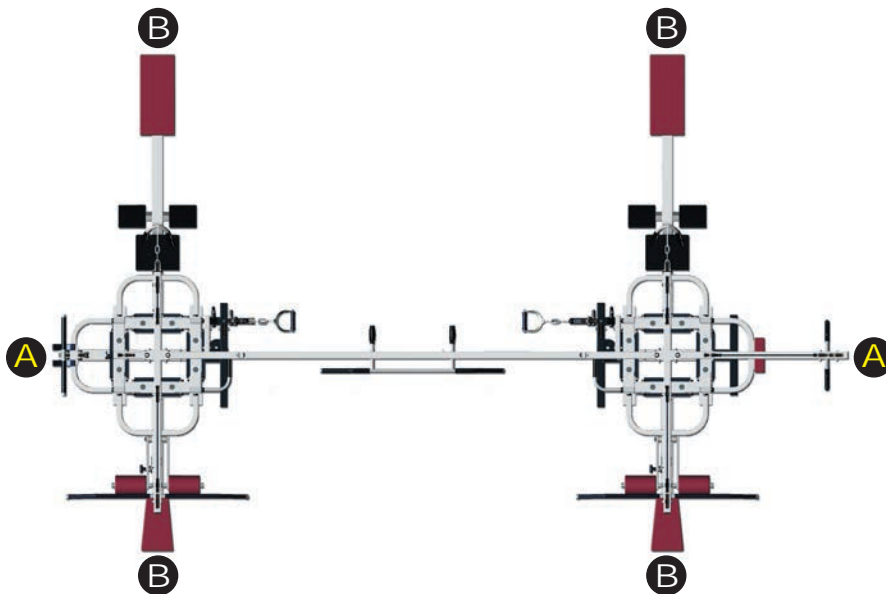
MODERN DESIGNS • MULTIPLE FUNCTIONS • MAXIMUM BENEFITS



 **PARAMOUNT.**[®]

LARGE SELECTION OF STATIONS

Paramount Modular Systems are designed for high-use commercial facilities that demand abundant function, consistent long-term performance, and attractive space efficient designs. Choose from 6 different configurations and 5 available add-on stations to create the Modular System perfectly suited for your specific needs.



A POSITION STATIONS
SINGLE CABLE COLUMN
BICEPS CURL
TRICEPS EXTENSION

B POSITION STATIONS
LAT PULLDOWN
SEATED LOW ROW



A

SINGLE CABLE COLUMN
MS-1000

Single adjustable cable column with swivel pulley housing and easy lift handle. 22 different positions - each clearly marked.



A

BICEPS CURL
MS-1100

Space efficient biceps curl station with revolving sleeve bar.



A

TRICEPS EXTENSION
MS-1200

Triceps station with comfortable upholstered back support pad and angled pushdown bar.



B

LAT PULLDOWN
MS-1500

Adjustable thigh pad assembly with elevated weight stack for easy access. Lat bar included.



B

Elevated but streamlined seat position minimizes floor space. Specially designed row handle included.



INSTRUCTION LABELS

Top frame includes non-fade washable Lexan® labels with illustrations and easy-to-follow instructions.



OPTIONAL WEIGHT STACK

Standard 10 lb. increment weight stacks can be increased to optional 15 lb. increment weights. Resting weight increases from 170 lbs. to 250 lbs. or 210 lbs. to 310 lbs. depending upon the station.

CABLE CROSSOVER MS-2000

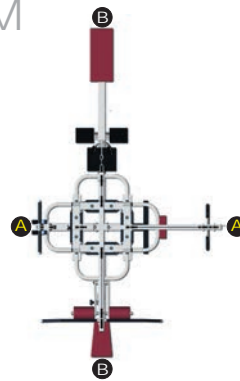
- 2 - Single Adjustable Cable Columns
- Dual Chin Bar



MS-2000 size: 149" wide x 40" deep x 93" tall

MODULAR SYSTEM MS-4000

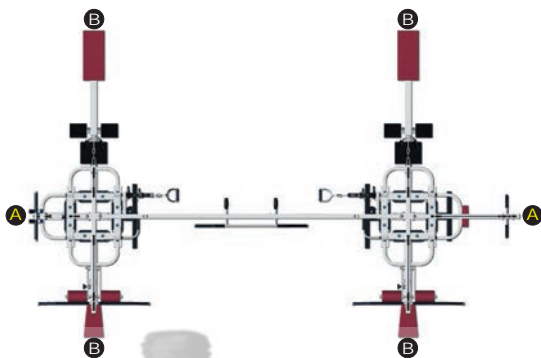
- Maximum 4 weight stacks:
 - 2 - A stations
 - 2 - B stations
- Minimum 2 weight stacks:
 - 1 - A station
 - 1 - B station



MS-4000 as shown: 78" wide x 136" deep x 93" tall

MODULAR SYSTEM MS-8000

- Maximum 8 weight stacks:
 - 1 - Cable Crossover
 - 4 - B stations
 - 2 - A stations
- Minimum 4 weight stacks:
 - 1 - Cable Crossover
 - 2 - B stations (one each modular frame)
- Dual Chin Bar



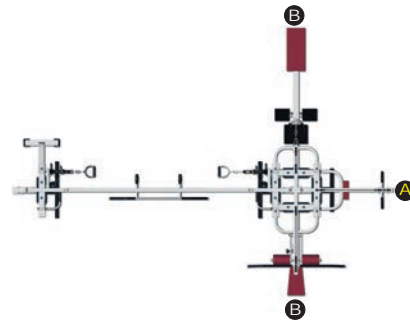
MS-8000 as shown: 218" wide x 136" deep x 93" tall

PARAMOUNT

MODULAR SYSTEM MS-5000

- **Maximum 5 weight stacks:**
 - 1 - Cable Crossover
 - 1 - A station
 - 2 - B stations
- **Minimum 3 weight stacks:**
 - 1 - Cable Crossover
 - 1 - B station
- **Dual Chin Bar**

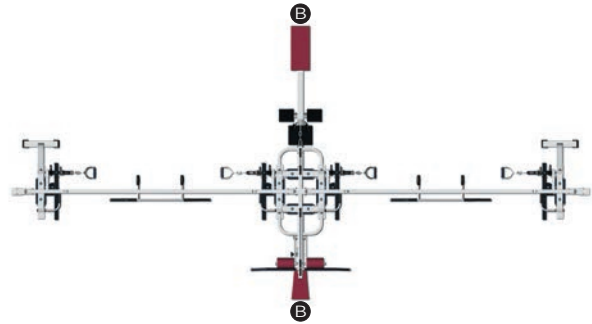
MS-5000 as shown: 194" wide x 136" deep x 93" tall



MODULAR SYSTEM MS-6000

- **Maximum 6 weight stacks:**
 - 2 - Cable Crossovers
 - 2 - B stations
- **Minimum 5 weight stacks:**
 - 2 - Cable Crossovers
 - 1 - B station
- **2 Dual Chin Bars**

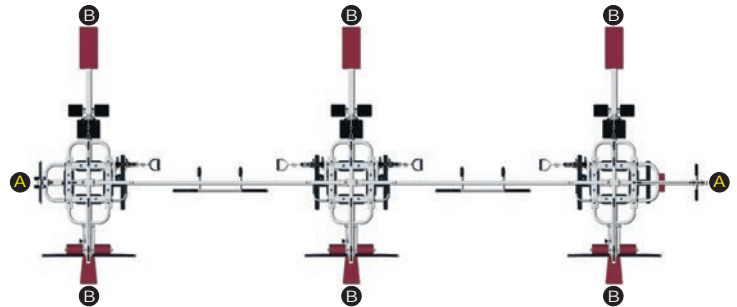
MS-6000 as shown: 289" wide x 136" deep x 93" tall



MODULAR SYSTEM MS-12000

- **Maximum 12 weight stacks:**
 - 2 - Cable Crossovers
 - 2 - A stations
 - 6 - B stations
- **Minimum 7 weight stacks:**
 - 2 - Cable Crossovers
 - 3 - B stations (one each modular frame)
- **2 Dual Chin Bars**

MS-12000 as shown: 358" wide x 136" deep x 93" tall



SPECIFICATIONS

Step-by-Step Instruction - detailed procedure charts with illustrations and easy-to-follow instructions. Non-fade washable Lexan® label.

Cables - mil spec lubricated $\frac{3}{16}$ " cable coated to $\frac{1}{4}$ " with a 4,200 lbs. breaking strength. $\frac{1}{8}$ " coated to $\frac{3}{16}$ " cable on Cable Columns. Swaged ball and $\frac{5}{8}$ " threaded bolt, tension adjustment design tested at 500 lbs. for 5 million cycles.

Frame - upright frame is 3" x 1- $\frac{1}{2}$ " (.120 wall 11 gauge) used in combination with other heavy structural steel components. Chrome components located in high contact areas.

Powder Coat Finish - electrostatic powder coating provides durable low maintenance finish.

Pulley Wheels - Fiberglas™ reinforced nylon pulley wheels with deep V-grooved channel and lifetime lubricated ball bearing maximizes life of the cable.

Upholstery - superior grade BoltaSport, Boltaflex and Uniroyal Naugahyde® available in a wide choice of 12 standard colors.

Pads - 1- $\frac{1}{2}$ " high density EMR with $\frac{1}{2}$ " high density, high ILD urethane cushion layer for comfort. Rebound urethane foam and Poron® used in high load application areas.

Bushings - self-lubricating bronze bushings at pivot points provide smooth movement and precision alignment.

Weight Plates - choice of 10 lb. or optional 15 lb. increments on all stations. 1" machined weight plates with fitted nylon bushings in each plate assure smooth travel on guide rods.

Paramount is a leading manufacturer of over 100 commercial fitness products including Functional Trainers, Selectorized Machines, Plate Loaded/Free Weights, Modular Systems, Treadmills and Ellipticals. To view these products, our warranty, and other important information, please visit us online at www.paramountfitness.com.

Paramount Fitness Corp.

6450 E. Bandini Blvd., Los Angeles, CA 90040
323-721-2121 • 800-721-2121 • Fax 323-724-2000
www.paramountfitness.com
nasales@paramountfitness.com

Paramount Fitness Corp. © 2010-12 Printed in USA 1/11